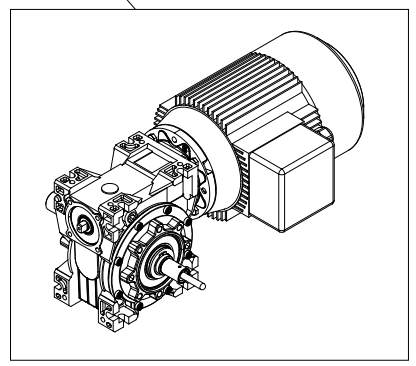


EXPL.



| Pos. | Code | Description | Q.ty | Notes | Purch. |
|-------|---------------|---------------------------------|------|-------|--------|
| EXPL. | GRUPPO MOTORE | C850 MOTOR GROUP | | | |
| 001 | 7324745 | 2003 FAAC LOGO | 1 | | Yes |
| 002 | 63003208 | C851 COVER GROUP | 1 | | Yes |
| 003 | 63003209 | E850S COVER GROUP | 1 | | Yes |
| 004 | 63003207 | E850S CONTROL BOARD | 1 | | Yes |
| 005 | 7030185 | WASHER 10,5X35X4 CAT.A Z | 1 | | Yes |
| 006 | 719145 | Z28 PINION | 1 | | Yes |
| 007 | 7061115 | PIN 8X45 RIC.UNI EN22338 | 1 | | Yes |
| 008 | 63002925 | V-RING TWVA00250 TRELLENBORG | 1 | | Yes |
| 009 | 63000077 | C850 LIMIT SWITCH GROUP | 1 | | Yes |
| 010 | 737850 | OPERATOR C850 FOUNDATION PLATE | 1 | | Yes |
| 011 | 63002995 | DRIVE BELT C850 | 1 | | Yes |
| 012 | 63000078 | SAFETY MICROSWITCH | 1 | | Yes |
| 013 | 729014 | 740/741 UNCLAMPING KNOB | 1 | | Yes |
| 014 | 7131005 | KEY MOD. 3889.0913 | 1 | | Yes |
| 015 | 7120885 | LOCK ART.3889.3 | 1 | | Yes |
| 016 | 63002885 | LIMIT SWITCH PULLEY GROUP | 1 | | Yes |
| 017 | 63000079 | GASKET CAT.EMKA COD. 1016-75 | 1 | | Yes |
| 018 | 63000081 | C850 CARTER BELT | 1 | | Yes |
| 019 | 63000179 | C850 ELECTRIC BRAKE 230V | 1 | | Yes |
| 020 | 63003210 | C851 LIMIT SWITCH CABLE | 1 | | Yes |
| 021 | 7908595 | INTF 844 98 MOTOR ASSEMBLY | 1 | | Yes |
| 022 | 7580375 | MLS LIMIT SWITCH SENSOR 746/844 | 1 | | Yes |
| 023 | 63000355 | 746/844 STROKE END UNIT | 1 | | Yes |



C851

GEARMOTOR FOR SLIDING GATES